

Nordson® Model 3000 and 3000 Vista Series Reconditioned Hot Melt Units



Nozzles	
Part Number	Description
A237018	One Orifice - .018 Dia.
A238529	Two Orifice - .018 Dia.
A244520	One Orifice - .016 Dia. Right Angle
A270700	Two Orifice - .016 Dia. Right Angle

Automatic Hoses	
Part Number	Description
274791	4ft. Automatic Hose, 230VAC
274792	6ft. Automatic Hose, 230VAC
274793	8ft. Automatic Hose, 230VAC
274794	10ft. Automatic Hose, 230VAC
274795	12ft. Automatic Hose, 230VAC
274796	16ft. Automatic Hose, 230VAC

Hand Gun Hoses	
Part Number	Description
274798	8' Handgun Hose for AD31-T Handgun
274799	16' Handgun Hose for AD31-T Handgun

Reconditioned Automatic Guns	
Part Number	Description
A274702	H20T Gun - Reconditioned, exchange
A274596	H201T Gun - Reconditioned, exchange
A274597	H202T Gun - Reconditioned, exchange
A274600	H204T Gun - Reconditioned, exchange
A276541	H204TLP4 Gun - Reconditioned, exchange

Modules	
Part Number	Description
A153011	H20 Module – Reconditioned, Exchange
AN153011	H20 Module – New
A276119	H200 Module – Reconditioned, Exchange
AN276119	H200 Module – New

Call
1-800-676-2926
to order replacement parts.

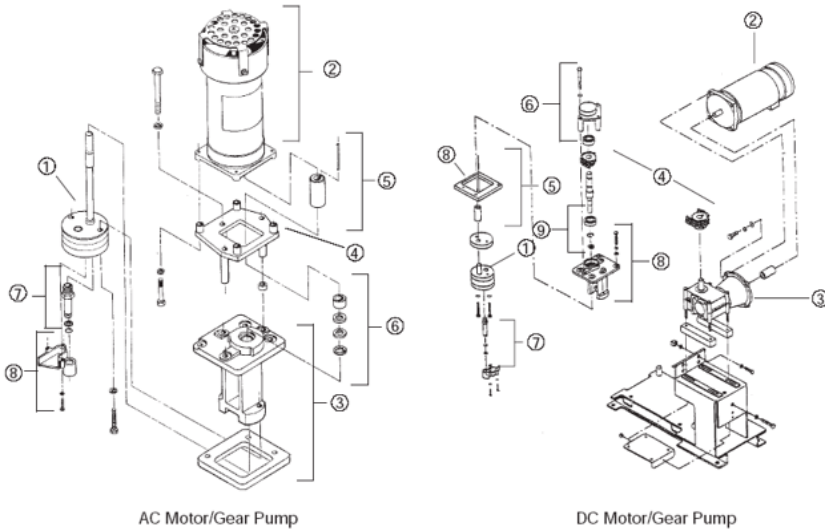
Reconditioning Process

We completely disassemble the hot melt machine. The tank is cleaned thoroughly, sandblasted, then coated with one coat of Teflon™ primer, then three coats of Teflon™ 2, the abrasion resistant coating.

All of the covers are cleaned completely and painted, or replaced. The pump is completely reconditioned with new seals, o-rings and metal parts as necessary. All of the internal electrical parts are tested, and replaced when necessary.

Next the unit is assembled, using new parts in many areas. New fuses are always used. When completely assembled, the unit is tested with hot melt for one day. The remaining hot melt is drained out of the tank, and the hot melt machine is ready for shipment. You will find a small amount of hot melt at the bottom of each Axco reconditioned hot melt machines. This is an inconsequential amount left over from the test.

Because of the thoroughness of the reconditioning, and the extensive test process, Axco's success ratio for this equipment is reflected by the large number of customers who reorder from us again and again.



Your Series 3000 or 3000V replacement parts for the Pump and the Manifold are identified by the unit configuration code shown on the silver identification plate on your unit.

Below is the location of the pump and manifold codes located in the unit configuration code:

3000-X ■ ■ XX / _ _ _

■ - Gear & Piston Pump Code

■ - Manifold Code

Series 3000 and 3000V Piston Pumps

SP pumps are designated as configuration code letter E, F or G. When ordering a replacement SP pump, we recommend that you also order a filter/regulator.

SP Dual Acting Pump Replacement Parts			SP Single Acting	
Description	14:1 (Code E) Part #	21:1 (Code F) Part #	6:1 (Code G) Part #	10:1 (Code D) Part #
Pump Assembly	161424	164683	164684	138235
Pump Seal Kit	164601	164685	167999	138160
• Pump Retainer	986602			138150
Fork, Magnetic Shifter	166880	170641	166880	
Magnetic Actuator Assembly	155077	155077	155077	
• Magnetic Actuator	164606	164606	164606	
Crossover Tube	288031	288031	288031	288031
Regulator/Filter Assembly*				
• 1-4 hose units	165871	165873	165871	165871
• 5-6 hose units	165872	165874	165872	165872
Service Kit, Pump D,10:1 with solenoid Valve				
• 3500V**				336937
• 3700V**				336936
• 3930V				1002555
• 3860V				344042

* All regulator and filter assemblies contain a regulator with filter (part 165735) and a filter element (part 165870).

** Pump and solenoid available as separate assemblies in Uptime Plus Pack (part 138235).

Components for Piston Pumps with Configuration Codes: A, B, C (Obsoleted Pumps)

Mechanical Style pumps are designated as A, B, or C. These pumps are obsoleted. Replacement components still available for these obsoleted pumps are listed below.

If you need a complete new pump, order the SP pump versions designated as E, F, or G above.

Pump Code A 14:1 Dual Acting Piston Pump	
Part #	Description
105450	Pump Seal Kit
105451	Crossover Tube Kit
105452	Seat & Ball Replacement Kit
105453	Hydraulic Pump Piston Replacement
288027	• Piston Assembly, Hydraulic Pump
120306	Backup & O-ring for Crossover Tube
120599	Pump Mount Replacement
105448	Air Cylinder: Washer & Gasket Replacement Kit
105449	Lock Nut/Washer Replacement
105454	Block/Washer Replacement Kit
276315	Valve/Shifter Assembly
276861	• Air Control Valve Assembly
274997	• Shifter & Spring Assembly
274669	Solenoid Valve Assembly

Pump Code B 21:1 Dual Acting Piston Pump	
Part #	Description
105458	Pump Seal Kit
105451	Crossover Tube Kit
105459	Seat & Ball Replacement Kit
142139	Hydraulic Pump Piston Replacement
120306	Backup & O-ring for Crossover Tube
141062	Pump Mount Replacement
105457	Air Cylinder: Washer & Gasket Replacement Kit
105449	Lock Nut/Washer Replacement
105454	Block/Washer Replacement Kit
276315	Valve/Shifter Assembly
276861	• Air Control Valve Assembly
274997	• Shifter & Spring Assembly
132384	Solenoid Valve Assembly

Pump Code C 6:1 Dual Acting Piston Pump	
Part #	Description
105458	Pump Seal Kit
105451	Crossover Tube Kit
105459	Seat & Ball Replacement Kit
118671	Hydraulic Pump Piston Replacement
120306	Backup & O-ring for Crossover Tube
120599	Pump Mount Replacement
118670	Air Cylinder: Washer & Gasket Replacement Kit
105454	Block/Washer Replacement Kit
276315	Valve/Shifter Assembly
276861	• Air Control Valve Assembly
274997	• Shifter & Spring Assembly
274669	Solenoid Valve Assembly

Series 3000 and 3000V Gear Pumps

Series 3000 units are available with AC or DC gear pumps. The identification of your pump type is on your unit serial plate. Your pump type will be designated as follows:

1/3 HP AC Motor - Gear Pump			
Code	Description	Pump Output lb/hr	Part #
K	1/3 HP AC 200V	54	130592
L	1/3 HP AC 230V	54	120475
3/4 HP DC Motor - Gear Pump			
Code	Description	Pump Output lb/hr	Part #
O	3/4 HP DC	108	120366
R	3/4 HP DC	54	131609
S	3/4 HP DC	24	131610
T	3/4 HP DC	12	134908
U	3/4 HP DC	8	134909
W	3/4 HP DC	4	134910

1/3 HP AC Motor - Gear Pump Assemblies	
Part #	Description
130592	Complete Motor/Pump Assembly Pump K:
120461	• AC Pump
130593	• Motor, AC, 200V
120460	• Coupling & Key Replacement
120458	• Seal & Bushing Kits
120475	Complete Motor/Pump Assembly Pump L:
120461	• AC Pump
120476	• Motor, AC, 230V
120460	• Coupling & Key Replacement
120458	• Seal & Bushing Kits
AC Pump & Motor Kits	
Part #	Description
120471	Pump Mount
120470	Motor Mount Support Kit
120377	Crossover Tube Replacement
120380	Return Tube Replacement
142316	Air Fan Replacement

3/4 HP DC Gear Pump Assemblies	
Part #	Description
120372	Pump O, DC, 108 lb/hr output
131611	Pump R, DC, 54 lb/hr output
131612	Pump S, DC, 24 lb/hr output
131612	Pump T, DC, 12 lb/hr output
131612	Pump U, DC, 8 lb/hr output
131612	Pump W, DC, 4 lb/hr output
120370	Motor, 3/4 HP DC
Speed Reducers	
Part #	Description
120371	Pumps R, S, O, 10:1 Reduction
131606	Pump T, 20:1 Reduction
131607	Pump U, 30:1 Reduction
131608	Pump W, 60:1 Reduction
DC Pump & Motor Kits	
Part #	Description
120367	Chain & Sprocket Kit
120369	Coupling Assembly
120394	Motor Mount
120377	Crossover Tube Replacement Kit
120389	Gear Pump Mount for Series 3400, 3500, 3700 units
139577	Gear Pump Mount for Series 3800, 3900 units
120368	Bearing Replacement Kit
113034	Motor Brush Service Kit